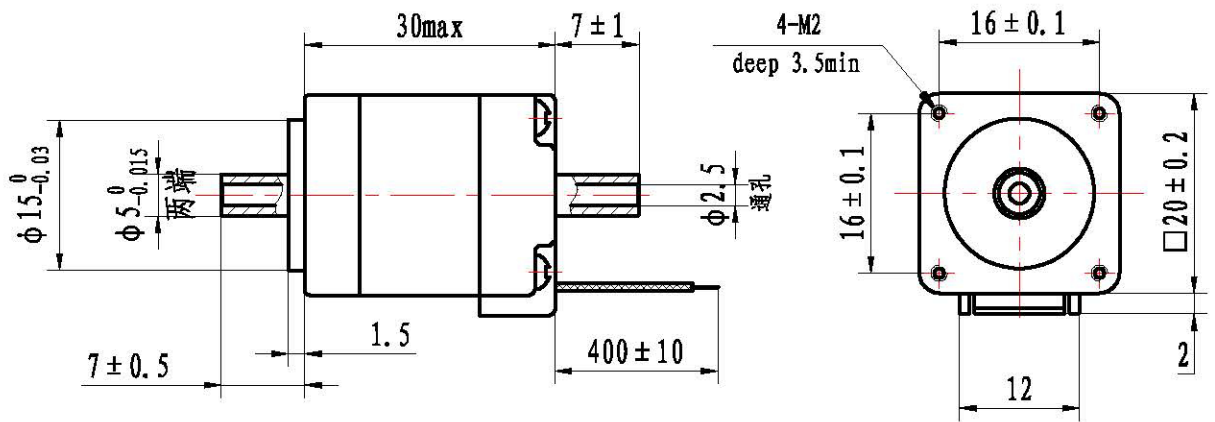


HYBRID STEPPING MOTOR 8HY0001-7SK

REV A

General specification		Electrical specification		Wiring diagram
Step angle	1.8° ±5%	Rated voltage	3.9V	
Number of phase	2	Rated current	0.6A	
Insulation resistane	100MΩmin. (500V DC)	Resistance per phase	6.5Ω ±10%	
Insulation class	Class B	Inductance per phase	1.7mH ±20%	
Rotor inertia	2g·cm ²	Holding torque	18mN·m	
Mass	0.06kg	Detent torque	2mN·m	



8HY0001-7SK

设计		标准化					
审核		批准			共 1 张		第 1 张
工艺		日期	2012.06.07		8HY0001-7SK型步进电机 规格书		